



610-638-1221
 sales@trenchdrain.com
 PO BOX 377 - FREMONT, OH 43420

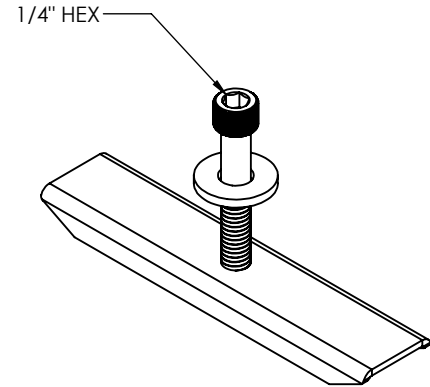
PROJECT ID: _____
 CONTRACT NO: _____

LOCATION: _____

RELEASED: 11.23.20
 REVISION: -

141460-U	LOCKING DEVICE FOR MEARIN 100 w/DUCTILE IRON GRATE
----------	--

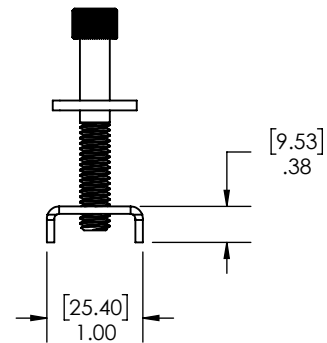
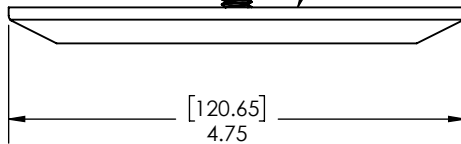
GRATE TYPE	PART NO.	EN-1433 LOAD CLASS
DUCTILE IRON SLOTTED	460 (FNX100KCCM)	C250
DUCTILE IRON SLOTTED	465 (FNX100KCBM)	B125



SOCKET HEAD CYLINDER
 5/16-18 X 2.00"
 TDS PN: HW 0047 SS

WASHER 5/16
 TDS PN: HW 0023 SS

LOCK BAR
 TDS PN: LC438S516



MANUFACTURER



DISCLAIMER - The customer and the customer's architects, engineers, consultants, and other professionals are completely responsible for the selection installation and maintenance of any product purchased from Trench Drain Systems and/or its manufacturers. TRENCH DRAIN SYSTEMS MAKES NO WARRANTY, EXPRESS OR IMPLIED, AS TO THE SUITABILITY, DESIGN, MERCHANTABILITY, OR FITNESS OF THE PRODUCT FOR CUSTOMERS APPLICATION. The drawing and information provided remain the property and copyright of the manufacturer listed. The manufacturer reserves the right to modify specification without notice.

ENGINEERING SPECIFICATION

MEA-JOSAM 141460-U LOCKING DEVICES ARE TO BE USED WITH ALL GRATING SYSTEMS WHERE WHEEL TRAFFIC OCCURS. THIS IS NECESSARY TO PROVIDE SYSTEM INTEGRITY. USED ON MEARIN 1000 TRENCH DRAIN SYSTEMS.