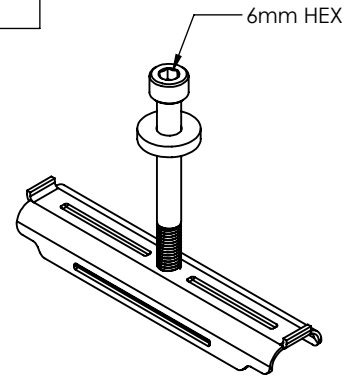


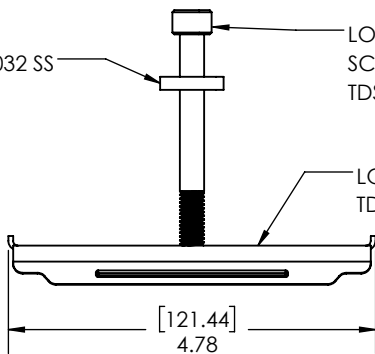
LD100X-3CB	LOCKING DEVICE FOR ULMA AD100 & AK100 CATCH BASINS DUCTILE IRON GRATE
------------	---

GRATE TYPE	FINISH (ALL GRATES ARE 0.5M)		DIN LOAD CLASS
	NATURAL	BAKED ON OIL	
IRONAGE - ARGO HEEL PROOF - AA5-20I21HP	IA-ARGO-0520-HP	IA-ARGO-0520-HP-BF	B
IRONAGE - MISSION BAY HEEL PROOF - MBA5-20I21HP	IA-BAY-0520-HP	IA-BAY-0520-HP-BF	B
IRONAGE - CARBOCHON - CAA5-20I21	IA-CARB-0520	IA-CARB-0520-BF	B
IRONAGE - GREEK KEY - GA5-20I21	IA-GRK-0520	IA-GRK-0520-BF	B
IRONAGE - INTERLAKEN HEEL PROOF - IA5-20I21HP	IA-INTER-0520-HP	IA-INTER-0520-HP-BF	B
IRONAGE - JANIS - JA5-20I21	IA-JANIS-0520	IA-JANIS-0520-BF	B
IRONAGE - JOE HEEL PROOF - RJA5-20I21HP	IA-JOE-0520-HP	IA-JOE-0520-HP-BF	B
IRONAGE - LOCUST - LA5-20I21	IA-LOC-0520	IA-LOC-0520-BF	B
IRONAGE - MINNIONE - MA5-20I21	IA-MIN-0520	IA-MIN-0520-BF	B
IRONAGE - OBLIO HEEL PROOF - OA5-20I21HP	IA-OBLIO-0520-HP	IA-OBLIO-0520-HP-BF	B
IRONAGE - OBLIO - OA5-20I21	IA-OBLIO-0520	IA-OBLIO-0520-BF	B
IRONAGE - PLEX - PLA5-20I21	IA-PLEX-0520	IA-PLEX-0520-BF	B
IRONAGE - PARADISE - PA5-20I21	IA-PAR-0520	IA-PAR-0520-BF	B
IRONAGE - QUE HEEL PROOF - QUA5-20I21HP	IA-QUE-0520-HP	IA-QUE-0520-HP-BF	B
IRONAGE - RIVER ROCK - RRA5-20I21	IA-RIV-0520	IA-RIV-0520-BF	B
IRONAGE - SUNSET - SA5-20I21	IA-SUNSET-0520	IA-SUNSET-0520-BF	B

GRATE TYPE	PART NO.	EN-1433 LOAD CLASS
	0.5M	
DUCTILE IRON SLOTTED	460 (FNX100KCCM)	C250
DUCTILE IRON SLOTTED	461	E600
DUCTILE IRON SLOTTED - GATIC	462G	D400
DUCTILE IRON SLOTTED	465 (FNX100KCBM)	B125
DUCTILE IRON SLOTTED HEEL-PROOF	480 (FNHX100KCCM)	C250



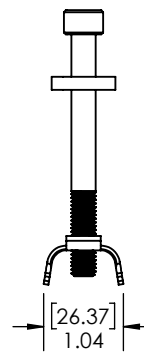
WASHER
 TDS PN: HW 0032 SS



LOW PROFILE CYLINDER HEAD
 SCREW M8-1.25 X 80
 TDS PN: HW 0046 SS

LOCK BAR
 TDS PN: CS100INOX

[121.44]
 4.78



[26.37]
 1.04

MANUFACTURER



DISCLAIMER - The customer and the customer's architects, engineers, consultants, and other professionals are completely responsible for the selection installation and maintenance of any product purchased from Trench Drain Systems and/or its manufacturers. TRENCH DRAIN SYSTEMS MAKES NO WARRANTY, EXPRESS OR IMPLIED, AS TO THE SUITABILITY, DESIGN, MERCHANTABILITY, OR FITNESS OF THE PRODUCT FOR CUSTOMERS APPLICATION. The drawing and information provided remain the property and copyright of the manufacturer listed. The manufacturer reserves the right to modify specification without notice.

ENGINEERING SPECIFICATION

ULMA LD100X-3CB SERIES LOCKING DEVICES ARE TO BE USED WITH ALL GRATING SYSTEMS WHERE WHEEL TRAFFIC OCCURS. THIS IS NECESSARY TO PROVIDE SYSTEM INTEGRITY. USED ON ULMA AD100 AND AK100 CATCH BASIN SYSTEMS.