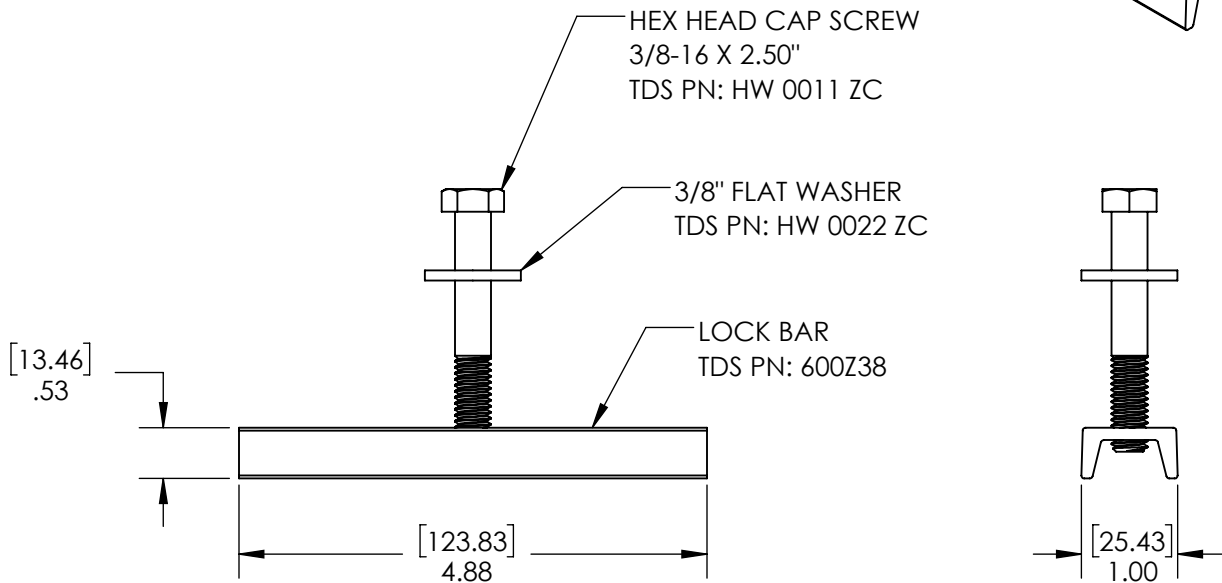
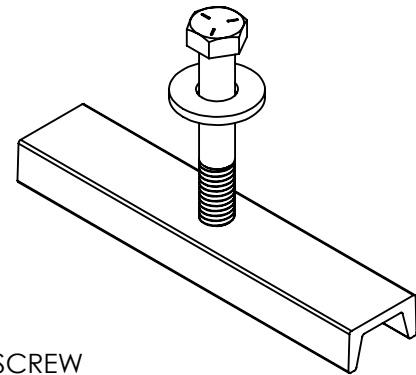


RELEASED 5.13.20

DA3042B	LOCKING DEVICE FOR TDS 3000 SERIES W/DUCTILE IRON & GALVANIZED GRATE	
---------	--	--

GRATE TYPE	PART NO.	DIN LOAD CLASS
DUCTILE IRON SLOTTED	DG3041D	F
DUCTILE IRON SLOTTED	DG3042D	D
DUCTILE IRON TRANSVERSE SLOTTED ADA	DG3043D	D / H-20
GALVANIZED BAR	DG3048R	C

TRENCH DRAIN SYSTEMS DA3042B SERIES LOCKING DEVICES ARE TO BE USED WITH ALL GRATING SYSTEMS WHERE WHEEL TRAFFIC OCCURS. THIS IS NECESSARY TO PROVIDE SYSTEM INTEGRITY. USED ON TDS 3000 SERIES SYSTEM WITH DUCTILE IRON AND GALVANIZED GRATE.



DISCLAIMER - The customer and the customer's architects, engineers, consultants, and other professionals are completely responsible for the selection installation and maintenance of any product purchased from Trench Drain Systems and/or its manufacturers. TRENCH DRAIN SYSTEMS MAKES NO WARRANTY, EXPRESS OR IMPLIED, AS TO THE SUITABILITY, DESIGN, MERCHANTABILITY, OR FITNESS OF THE PRODUCT FOR CUSTOMERS APPLICATION. The drawing and information provided remain the property and copyright of the manufacturer listed. The manufacturer reserves the right to modify specification without notice.