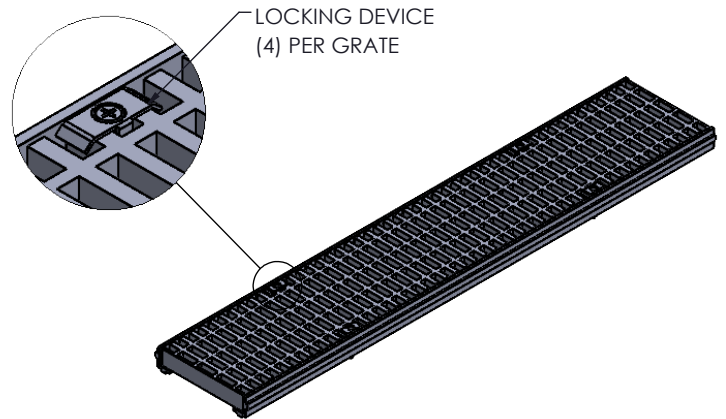
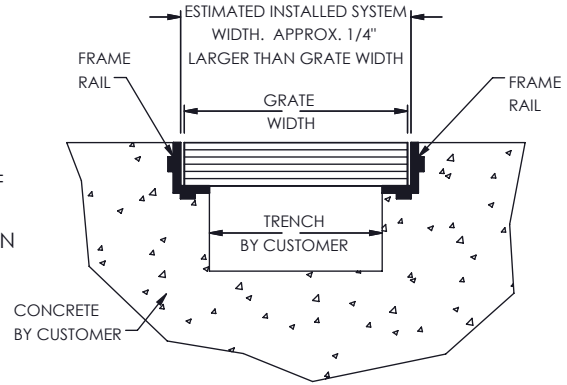


FGK-HLC-EZ **FIBERGLASS KIT WITH HLC GRATE AND EZ FRAME**

NOMINAL SYSTEM WIDTH (SPAN)	ACTUAL GRATE WIDTH	SYSTEM LENGTH	KIT PART NO.
8"	7.50"	4'	FGK-HLC-EZ-0804
		8'	FGK-HLC-EZ-0808
		12'	FGK-HLC-EZ-0812
		16'	FGK-HLC-EZ-0816
		20'	FGK-HLC-EZ-0820
10"	10.75"	4'	FGK-HLC-EZ-0840
		8'	FGK-HLC-EZ-1004
		12'	FGK-HLC-EZ-1008
		16'	FGK-HLC-EZ-1012
		20'	FGK-HLC-EZ-1016
12"	12.25"	4'	FGK-HLC-EZ-1020
		8'	FGK-HLC-EZ-1040
		12'	FGK-HLC-EZ-1204
		16'	FGK-HLC-EZ-1208
		20'	FGK-HLC-EZ-1212
14"	13.75"	4'	FGK-HLC-EZ-1216
		8'	FGK-HLC-EZ-1220
		12'	FGK-HLC-EZ-1240
		16'	FGK-HLC-EZ-1404
		20'	FGK-HLC-EZ-1408
		4'	FGK-HLC-EZ-1412
		8'	FGK-HLC-EZ-1416
		12'	FGK-HLC-EZ-1420
		16'	FGK-HLC-EZ-1440
		20'	FGK-HLC-EZ-1440

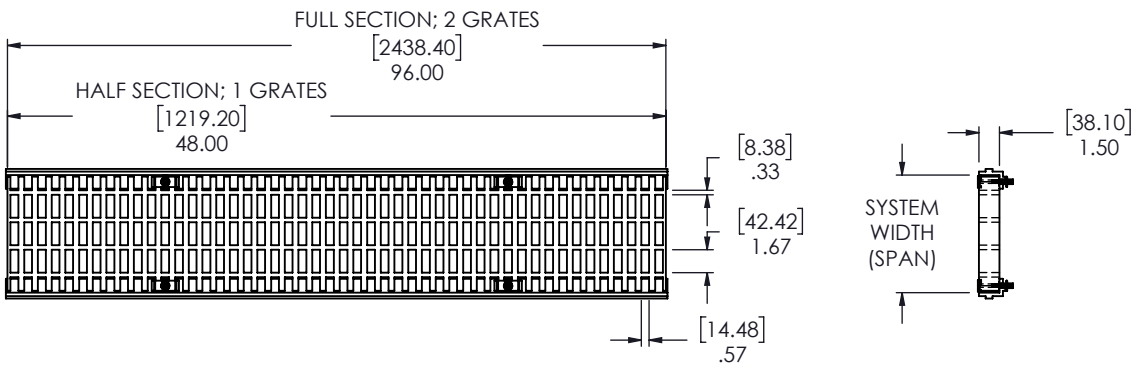
EXAMPLE OF A TYPICAL INSTALLATION



KITS ARE SUPPLIED IN 4FT & 8FT SECTIONS



DIN APPLICATION LOAD CLASS C:
 CURB SIDES, HIGHWAY SHOULDERS
 AND PARKING AREAS. DESIGNED FOR
 A DISTRIBUTED PRESSURE OF 56,200 LBS.
 (250kN)



MANUFACTURER



DISCLAIMER - The customer and the customer's architects, engineers, consultants, and other professionals are completely responsible for the selection installation and maintenance of any product purchased from Trench Drain Systems and/or its manufacturers. TRENCH DRAIN SYSTEMS MAKES NO WARRANTY, EXPRESS OR IMPLIED, AS TO THE SUITABILITY, DESIGN, MERCHANTABILITY, OR FITNESS OF THE PRODUCT FOR CUSTOMERS APPLICATION. The drawing and information provided remain the property and copyright of the manufacturer listed. The manufacturer reserves the right to modify specification without notice.

ENGINEERING SPECIFICATION

TDS FIBERGLASS KITS ARE MANUFACTURED WITH LAYERS OF RESIN AND FIBERGLASS STRANDS TO CREATE A GRATING SYSTEM WITH EXCELLENT IMPACT RESISTANCE THAT PROVIDES BETTER TRACTION THAN METAL BAR GRATING. IT IS CORROSION RESISTANT, LIGHTWEIGHT, NONCONDUCTIVE AND NONMAGNETIC. THE GRATE HAS AN OPEN AREA OF 48%. EACH GRATE MEASURES 1.50" THICK X 48.00" LONG. KIT INCLUDES GRATE(S), LOCKING DEVICES AND FRAME RAILS.